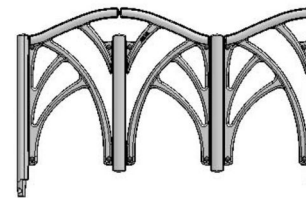
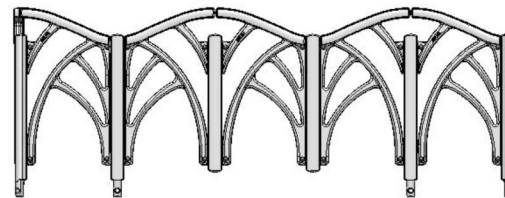
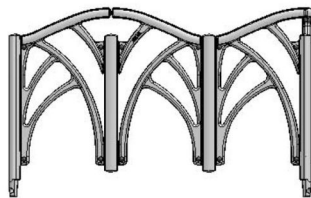
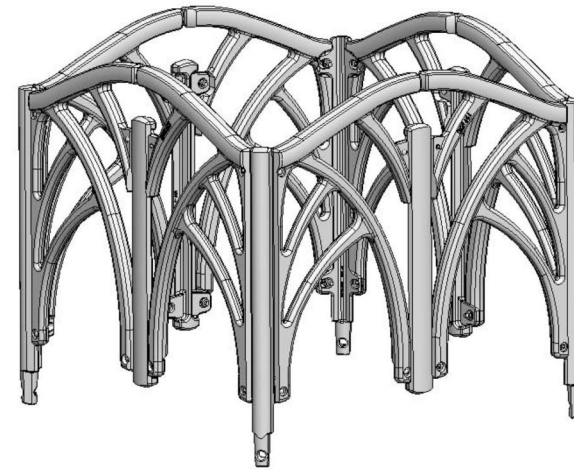
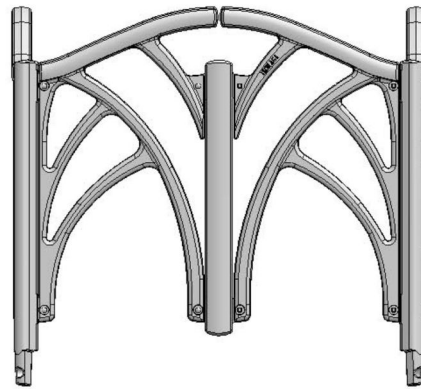
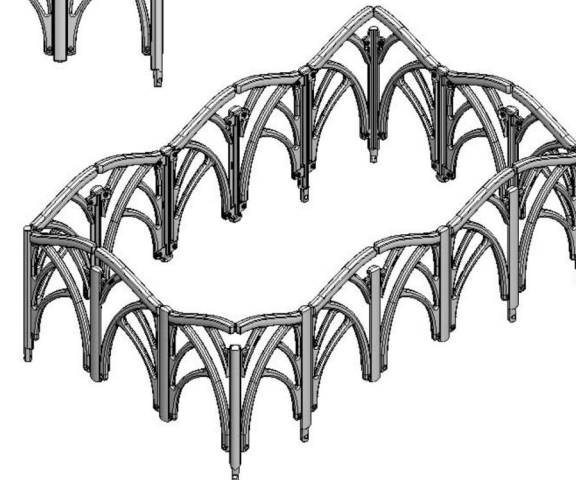


FOUNTAIN 2'x 2'  
PLANTER FENCE  
scale 1:10



FOUNTAIN 3'x 5' PLANTER FENCE scale 1:20

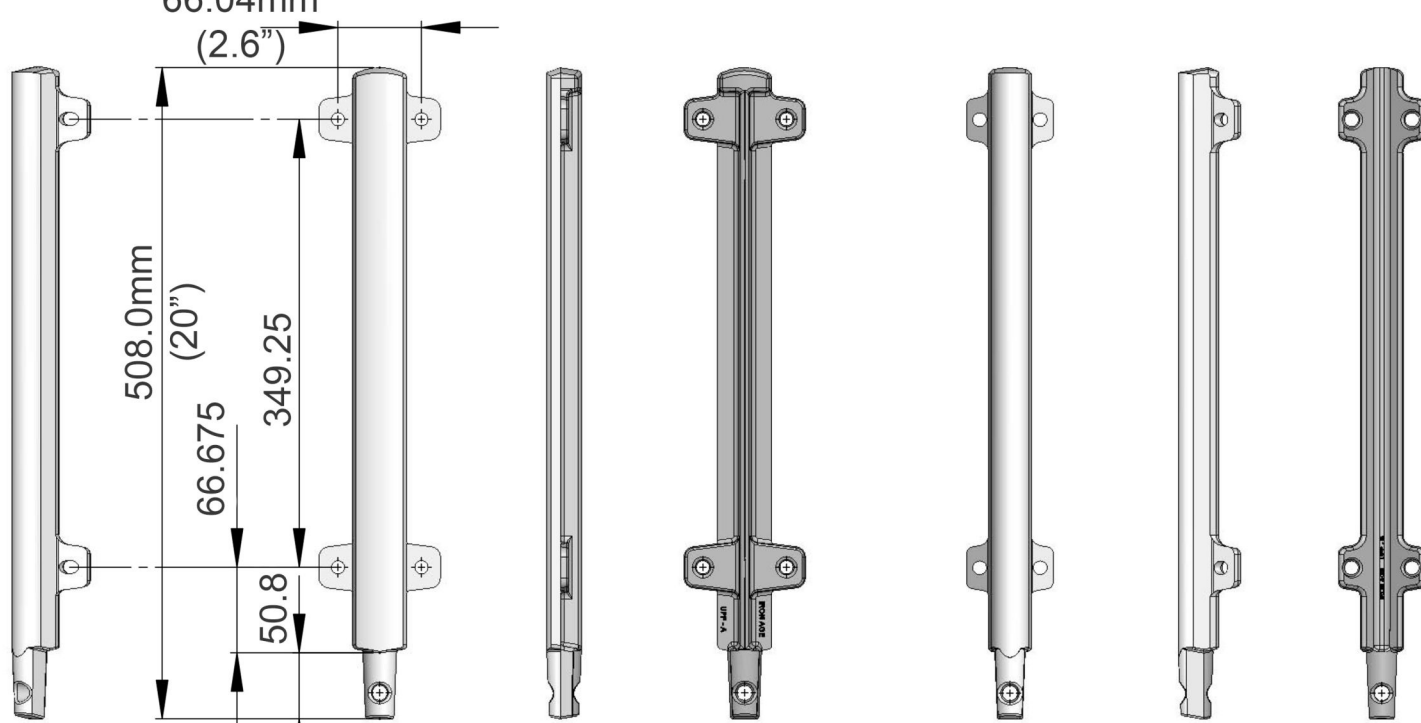
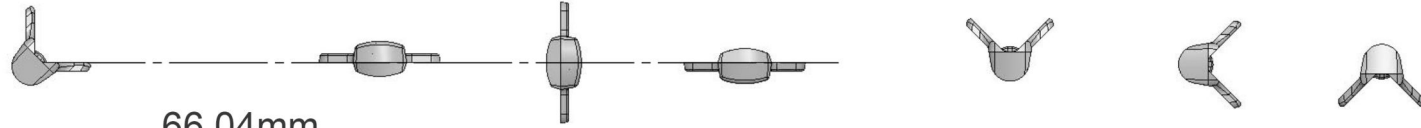


ISO  
scale 1:20

 <p><b>IRON AGE</b> DESIGNS <a href="http://www.ironagegrates.co.uk">www.ironagegrates.co.uk</a></p>	Pattern : Fountain	Material : Cast Ductile Iron	<b>Fountain 915mm Planting Fence</b>	
	Finish : Natural or powder coat paint	Thickness : N/A	Fountain Planter Fence	
	Dimensions : 914,4 x 591.2612	Units : mm	Drawing no : FOU-PF-915	Product no : CI-118-915PF
1. Due to casting inconsistencies all dimensions are nominal	Load Class : N/A	Flow rate : N/A	 <p><b>LATERAL</b> DESIGN STUDIO <a href="http://www.lateraldesignstudio.co.uk">www.lateraldesignstudio.co.uk</a></p>	
Copyright 2011-2016 Lateral Design Studio Limited. This drawing and subject matter disclosed therein, embody proprietary information which is the confidential property of Lateral Design Studio Ltd, none of which shall be copied, reproduced, disclosed to others, published or used, in whole or in part, without the express advanced written permission of a duly authorised agent of the company. This drawing is subject to recall by Lateral Design Studio Ltd.			Unit 5 Cotswold Business Park Millfield Lane Beds LU1 4AJ info@lateraldesignstudio.co.uk 0208 450 2244	






TOP VIEWS



shown NORMAL to fence line  
CORNER POST

shown NORMAL to fence & Parting lines  
UNIVERSAL POST

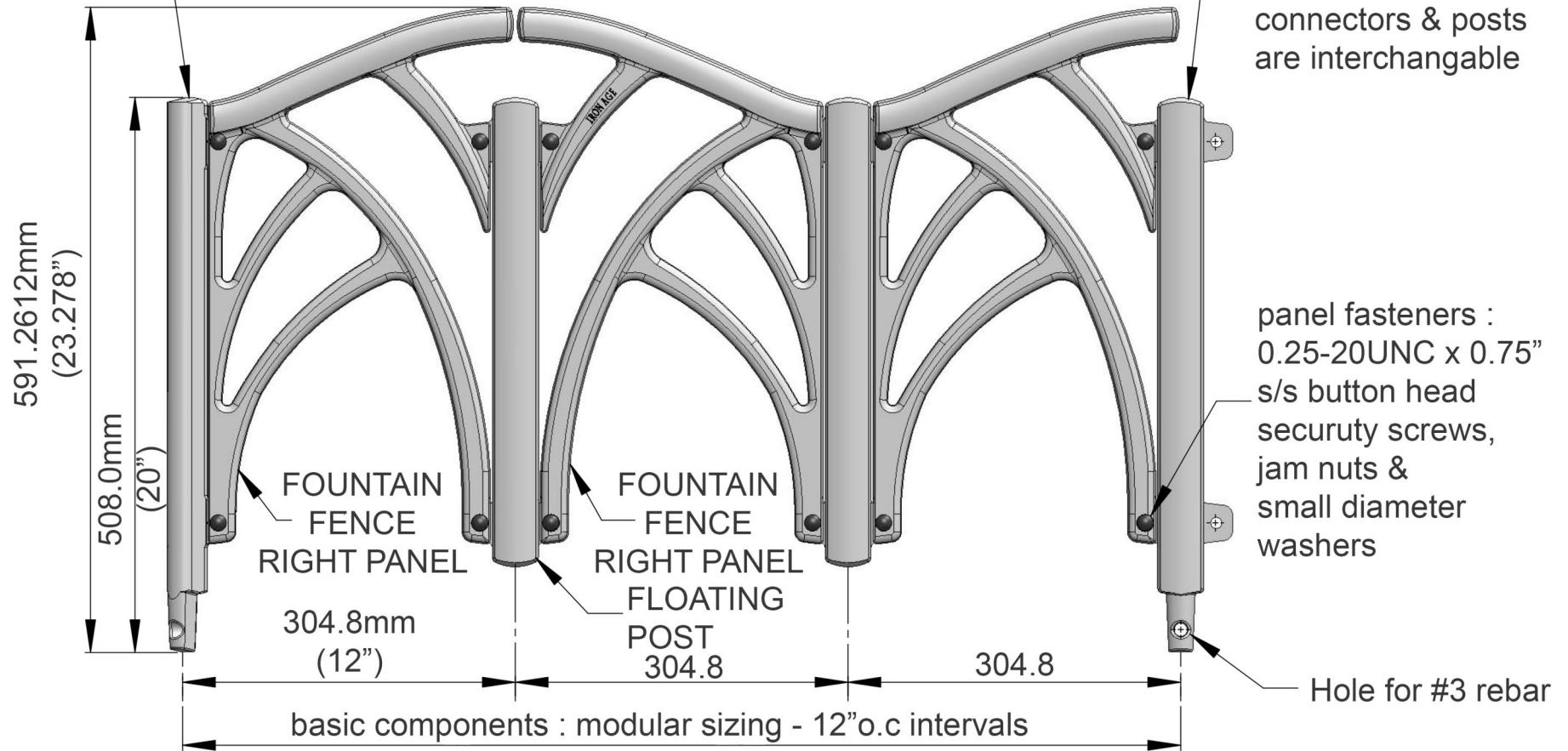
shown NORMAL to Parting line  
CORNER POST

 <p>IRON AGE DESIGNS <a href="http://www.ironagegrates.co.uk">www.ironagegrates.co.uk</a></p>	Pattern : Fountain	Material : Cast Ductile Iron	<b>Fountain 915mm Planting Fence</b> Fountain Planter Fence	
	Finish : Natural or powder coat paint	Thickness : N/A	Drawing no : FOU-PF-915	Product no : CI-118-915PF
	Dimensions : 914,4 x 591.2612	Units : mm	 LATERAL DESIGN STUDIO www.lateraldesignstudio.co.uk	
1. Due to casting inconsistencies all dimensions are nominal	Load Class : N/A	Flow rate : N/A	Unit 5 Cotswold Business Park Millfield Lane Beds LU1 4AJ info@lateraldesignstudio.co.uk	
Copyright 2011-2016 Lateral Design Studio Limited. This drawing and subject matter disclosed therein, embody proprietary information which is the confidential property of Lateral Design Studio Ltd, none of which shall be copied, reproduced, disclosed to others, published or used, in whole or in part, without the express advanced written permission of a duly authorised agent of the company. This drawing is subject to recall by Lateral Design Studio Ltd.			 ACID ANTI-COPYING IN DESIGN	

UNIVERSAL CORNER POST - mounting options :

- 1) tapered base fits snugly into standard 1" pipe ( recommend: bed in silicone ) optional set screw
- 2) feet available; for spike or bolt down
- 3) hole can accommodate #3 rebar to directly cast in concrete

UNIVERSAL POST:  
- same mounting ops, connectors & posts are interchangeable



panel fasteners :  
0.25-20UNC x 0.75"  
s/s button head security screws, jam nuts & small diameter washers

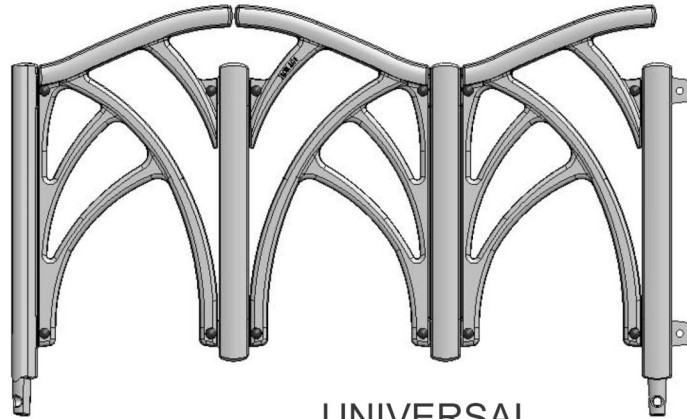
Hole for #3 rebar

 <p>IRON AGE DESIGNS <a href="http://www.ironagegrates.co.uk">www.ironagegrates.co.uk</a></p>	Pattern : Fountain	Material : Cast Ductile Iron	<b>Fountain 915mm Planting Fence</b> Fountain Planter Fence	
	Finish : Natural or powder coat paint	Thickness : N/A	Drawing no : FOU-PF-915	Product no : CI-118-915PF
	Dimensions : 914,4 x 591.2612	Units : mm	 LATERAL DESIGN STUDIO www.lateraldesignstudio.co.uk	
1. Due to casting inconsistencies all dimensions are nominal	Load Class : N/A	Flow rate : N/A	Unit 5 Cotswold Business Park Millfield Lane Beds LU1 4AJ info@lateraldesignstudio.co.uk 0208 450 2244	
Copyright 2011-2016 Lateral Design Studio Limited. This drawing and subject matter disclosed therein, embody proprietary information which is the confidential property of Lateral Design Studio Ltd, none of which shall be copied, reproduced, disclosed to others, published or used, in whole or in part, without the express advanced written permission of a duly authorised agent of the company. This drawing is subject to recall by Lateral Design Studio Ltd.			 ANTI COPYING IN DESIGN	

TOP  
scale 1:10



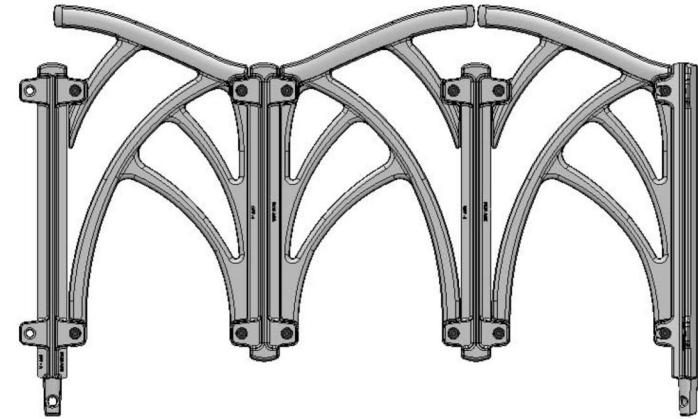
FRONT  
scale 1:10



R side  
scale 1:10



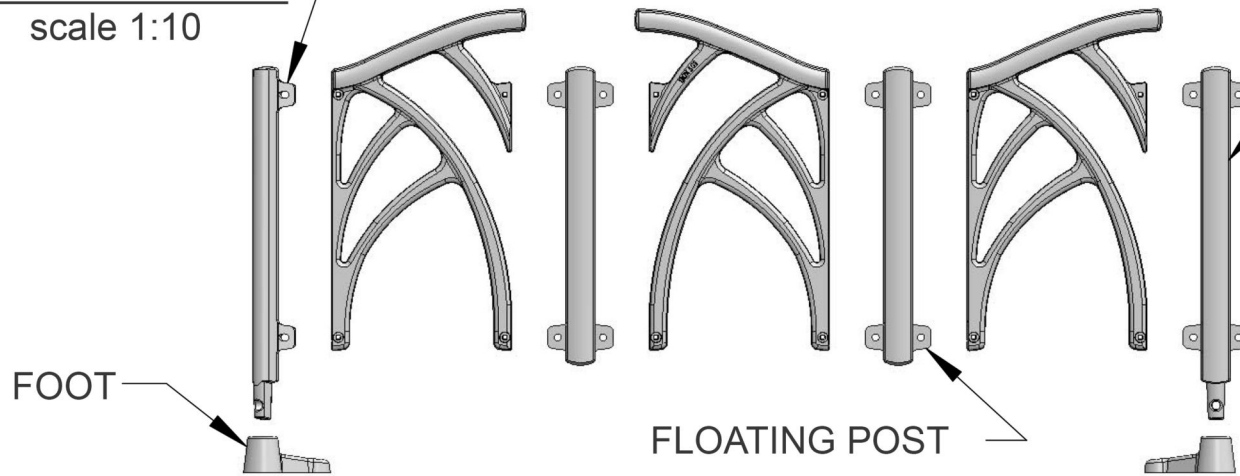
REAR  
scale 1:10



TOP  
scale 1:10

FRONT EXPLODED  
scale 1:10

UNIVERSAL  
CORNER POST

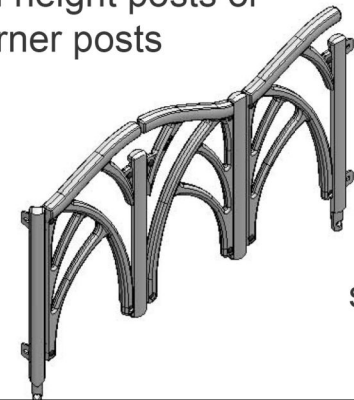


FOOT

FLOATING POST

UNIVERSAL POST:  
recommend: span no  
more than 3' between  
full height posts or  
corner posts

ISO  
scale 1:15



Pattern : Fountain

Material : Cast Ductile Iron

Fountain 915mm Planting Fence

Fountain Planter Fence

Finish : Natural or powder coat  
paint

Thickness : N/A

Drawing no : FOU-PF-915

Product no : CI-118-915PF

Dimensions : 914,4 x 591.2612

Units : mm



Unit 5 Cotswold Business  
Park  
Millfield Lane  
Beds LU1 4AJ

Load Class : N/A

Flow rate : N/A

info@lateraldesignstudio.co.uk

0208 450 2244