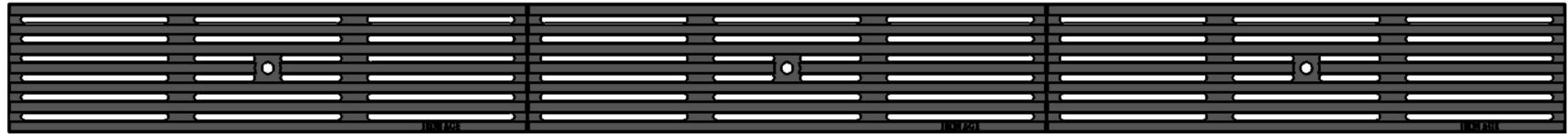
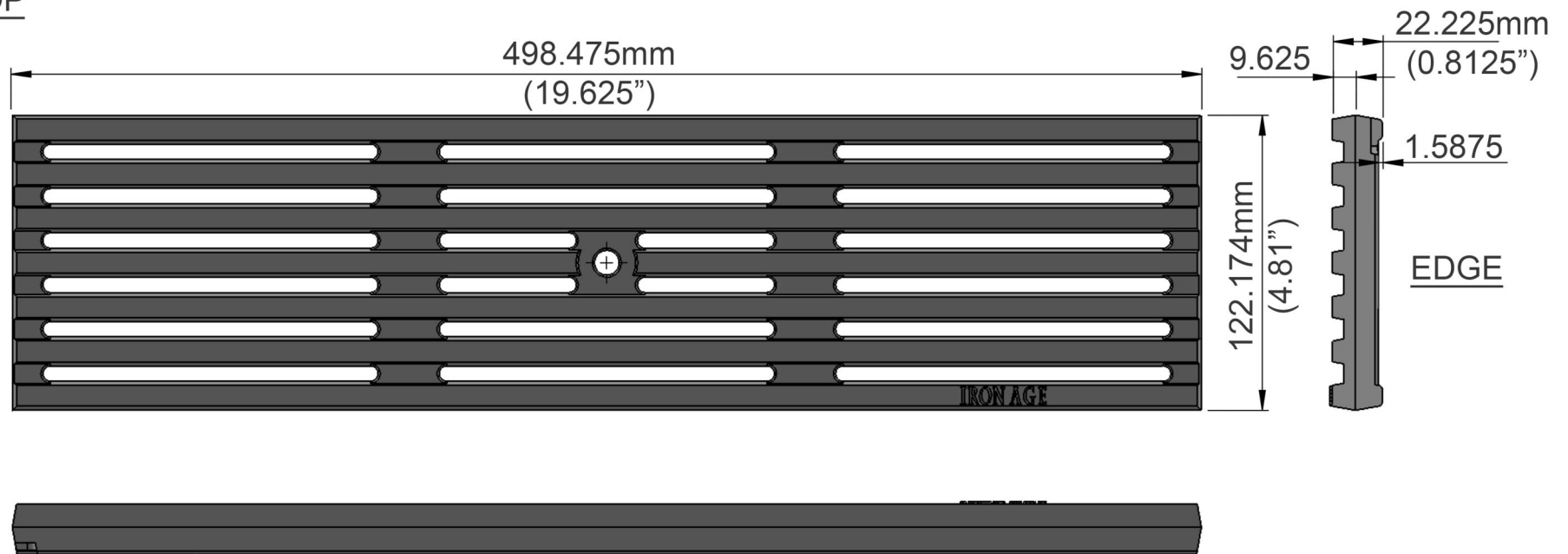




x3 Arrayed



TOP



 <p>IRON AGE DESIGNS www.ironagegrates.co.uk</p>	Pattern : Que	Material : Cast Ductile Iron	Que 498 x 122 mm Channel Grate	
	Finish : Natural	Thickness : 22.225	Que 5x20 trench grate	
<p>1. Due to casting inconsistencies all dimensions are nominal 2. No openings greater than 6.35 mm 3. Weight 12 pounds 4. Please discuss about channel drain options</p>	Dimensions : 498,4750 x 122,174	Units : mm	 <p>LATERAL DESIGN STUDIO www.lateraldesignstudio.co.uk</p>	Unit 5 Cotswold Business Park Millfield Lane Beds LU1 4AJ
	Load Class : N/A	Flow rate : N/A		
Copyright 2011-2016 Lateral Design Studio Limited. This drawing and subject matter disclosed therein, embody proprietary information which is the confidential property of Lateral Design Studio Ltd, none of which shall be copied, reproduced, disclosed to others, published or used, in whole or in part, without the express advanced written permission of a duly authorised agent of the company. This drawing is subject to recall by Lateral Design Studio Ltd.			