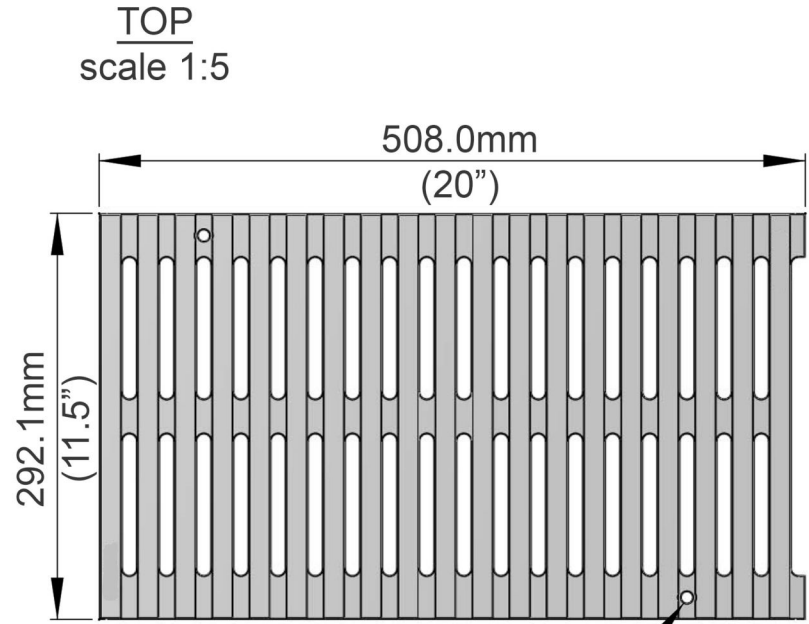


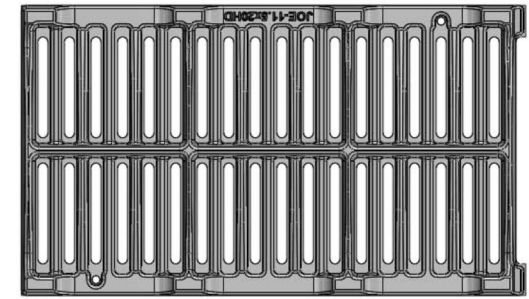
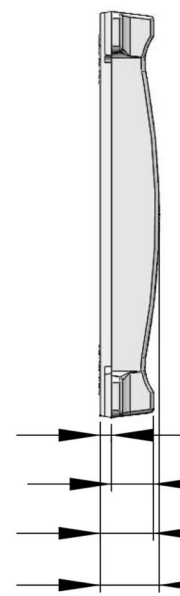
Issue	Date	Description	Name
A	19.5.2016	Detail Drawn	MP



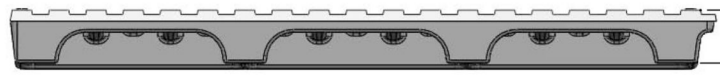
(x2) hole for bolt-down

38.1mm @ bearing surface  
(1.5")

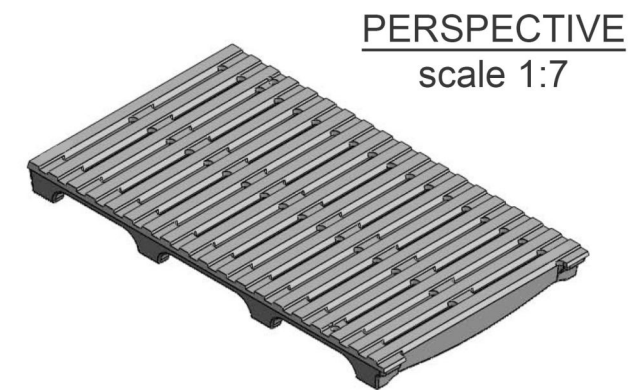
**END**  
scale 1:5



**BACK**  
scale 1:7



**EDGE**  
scale 1:5



Pattern : Joe	Material : Cast Ductile Iron
Finish : Natural Finish	Thickness : 38.1
Dimensions : 508 x 292,1	Units : mm
Load Class : N/A	Flow rate : N/A

**Joe 508 x 292 mm Channel Grate**  
HeavyDuty Joe 12" x 20"  
Drawing no : JOE-CG-508-292 Product no : CI94-508-292CG

1. Due to casting inconsistencies all dimensions are nominal
2. No openings greater than 6.35 mm
3. Approx. weight 30 lbs.
4. Please discuss about channel drain options



Unit 5 Cotswold Business Park  
Millfield Lane  
Beds LU1 4AJ

