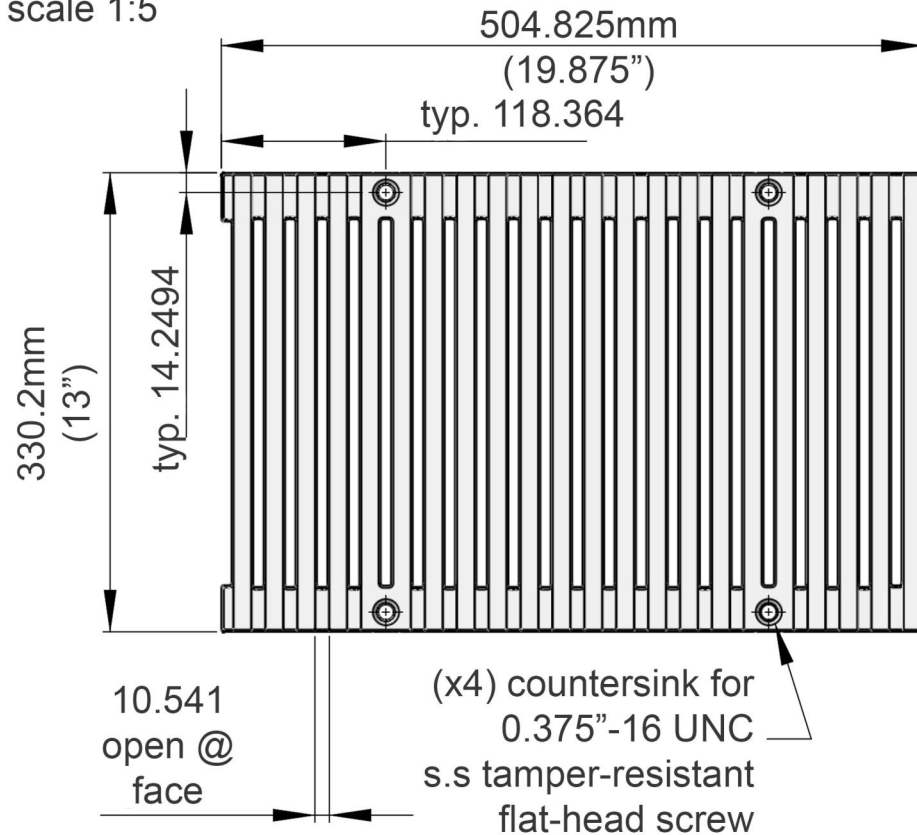
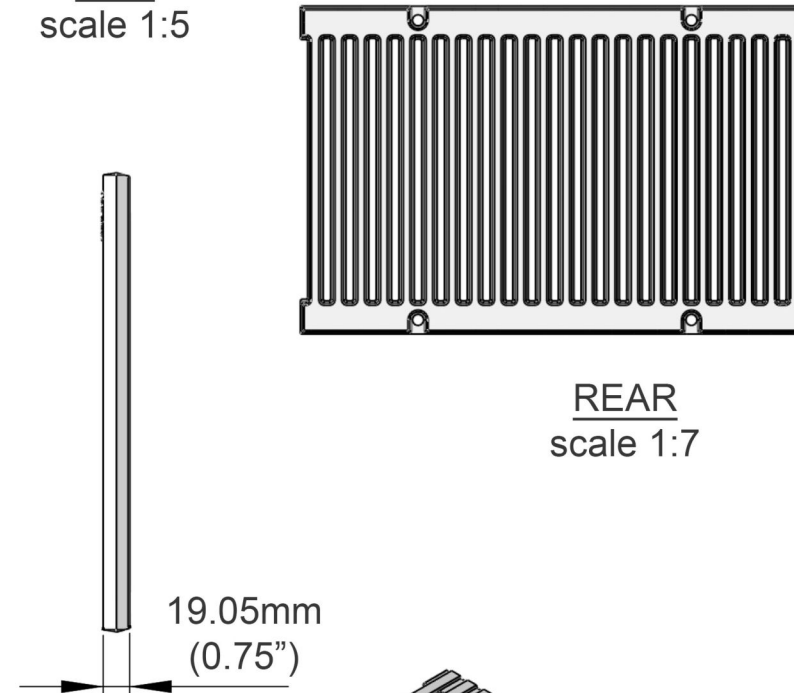


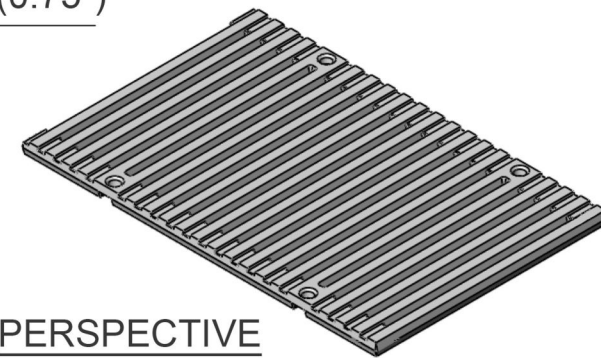
TOP
scale 1:5



END
scale 1:5



REAR
scale 1:7



PERSPECTIVE
scale 1:7



EDGE
scale 1:5



Pattern : Joe

Material : Cast Iron

Joe 504 x 330 mm Channel Grate

Pavilions 13" trench drain

Finish : Natural Finish

Thickness : 19.05

Drawing no : JOE-CG-504-330 Product no : CI94-504-330CG

1. Due to casting inconsistencies all dimensions are nominal
2. No openings greater than 12.7 mm
3. Please discuss about channel drain options

Dimensions : 504,825 x 330,2

Units : mm



Unit 5 Cotswold Business Park
Millfield Lane
Beds LU1 4AJ

Load Class : N/A

Flow rate : N/A

info@lateraldesignstudio.co.uk

0208 450 2244

