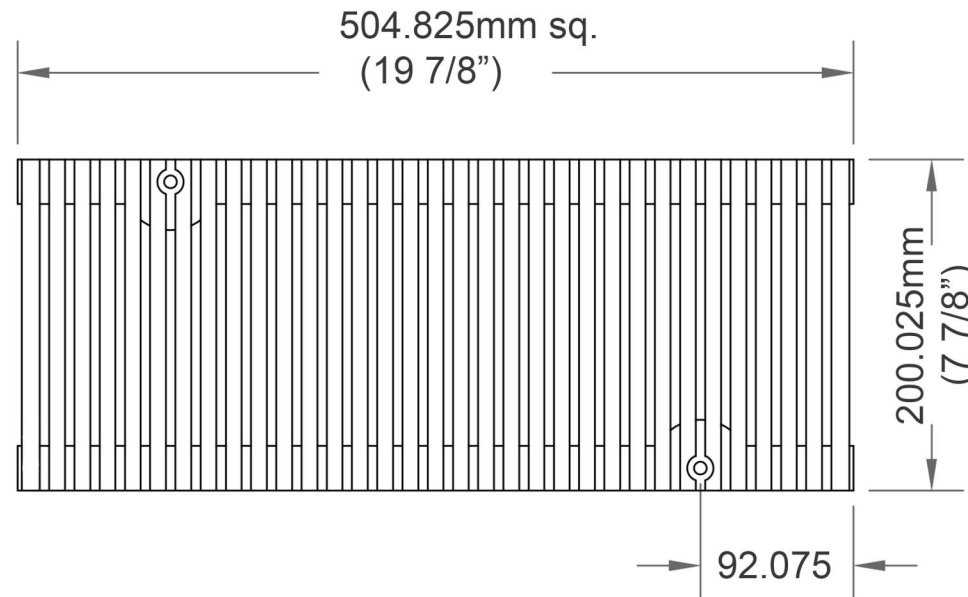
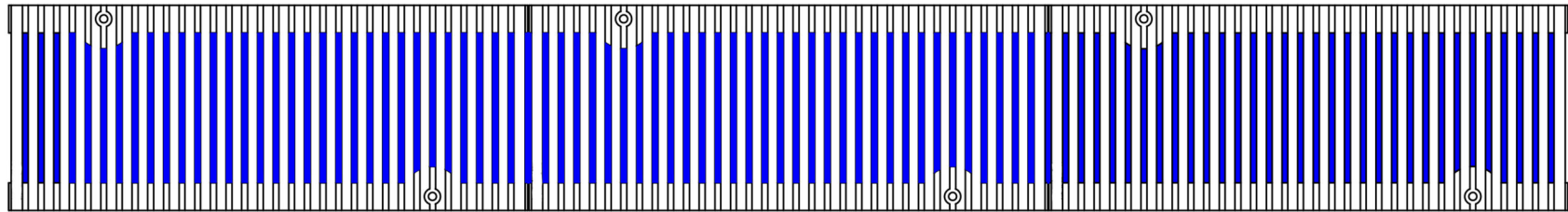





Issue	Date	Description	Name
A	19.5.2016	Detail Drawn	MP



 <p>IRON AGE DESIGNS www.ironagegrates.co.uk</p>	Pattern : Joe	Material : Cast Iron	Joe 504 x 200 mm Channel Grate <small>7 7/8" x 20" Heelproof Regular Joe</small>	
	Finish : Natural Finish	Thickness : 19.05	Drawing no : JOE-CG-504-200 Product no : CI94-504-200CG	
1. Due to casting inconsistencies all dimensions are nominal 2. No openings greater than 6.35 mm 3. Please discuss about channel drain options	Dimensions : 504,8250 x 200,025	Units : mm	 <p>LATERAL DESIGN STUDIO <small>www.lateraldesignstudio.co.uk</small></p>	Unit 5 Cotswold Business Park Millfield Lane Beds LU1 4AJ
	Load Class : N/A	Flow rate : N/A		
Copyright 2011-2016 Lateral Design Studio Limited. This drawing and subject matter disclosed therein, embody proprietary information which is the confidential property of Lateral Design Studio Ltd, none of which shall be copied, reproduced, disclosed to others, published or used, in whole or in part, without the express advanced written permission of a duly authorised agent of the company. This drawing is subject to recall by Lateral Design Studio Ltd.			 <p>ACID <small>ANTI-COPYING IN DESIGN</small></p>	