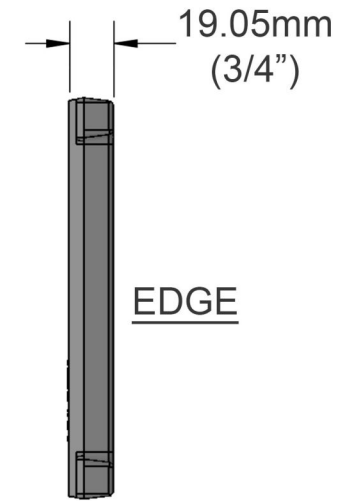
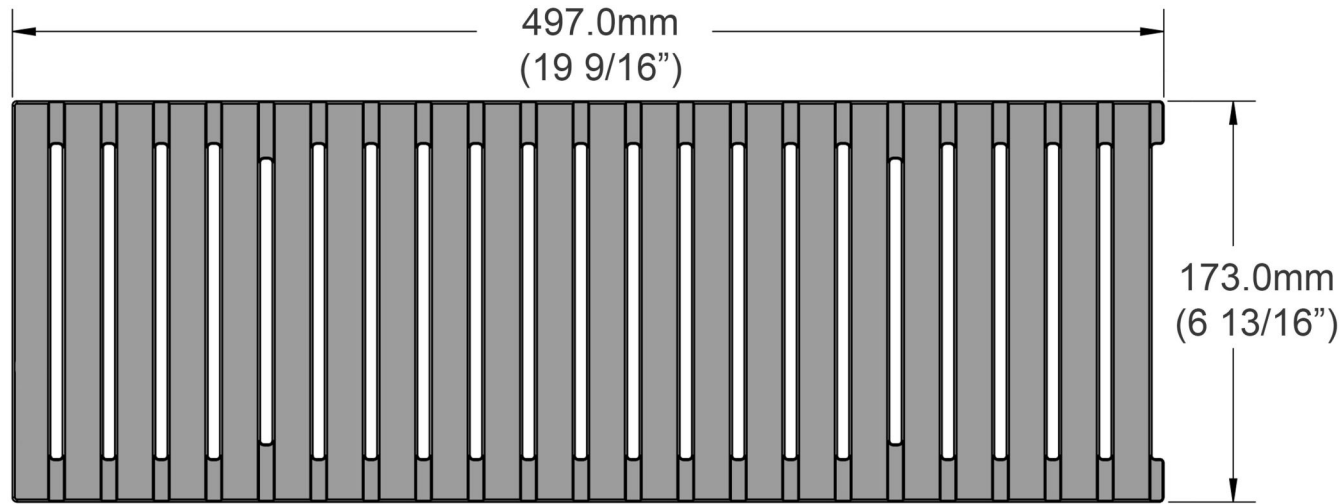


Issue	Date	Description	Name
A	19.5.2016	Detail Drawn	MP

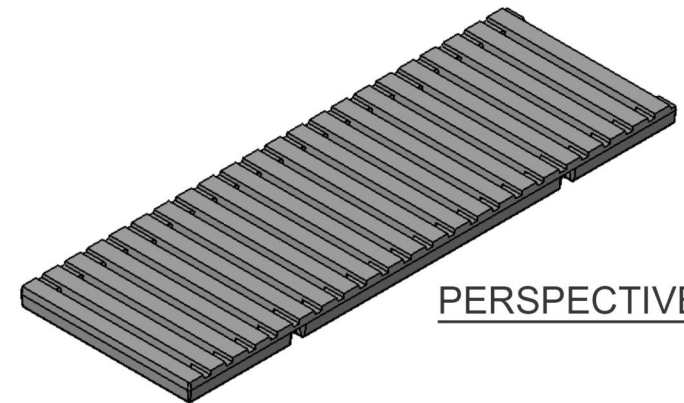
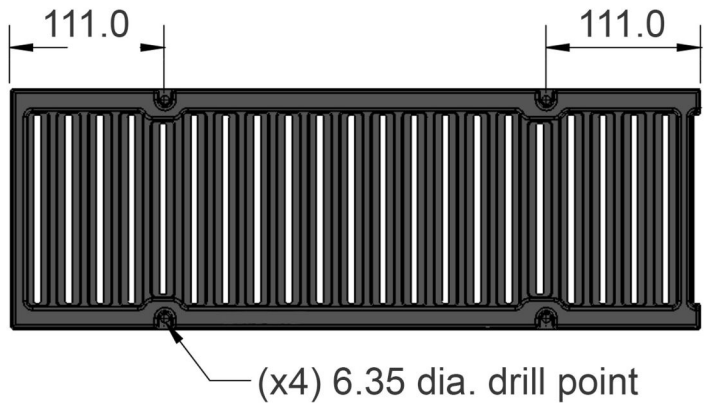
TOP



SIDE



REAR



Pattern : Joe

Material : Cast Iron

Joe 497 x 173 mm Channel Grate

7"x 20" Heelproof Regular Joe

Finish : Natural Finish

Thickness : 19.05

Drawing no : JOE-CG-497-173 Product no : CI94-497-173CG

Dimensions : 496,8875 x 173,0375

Units : mm



Unit 5 Cotswold Business Park
Millfield Lane
Beds LU1 4AJ

Load Class : N/A

Flow rate : N/A

info@lateraldesignstudio.co.uk

0208 450 2244

