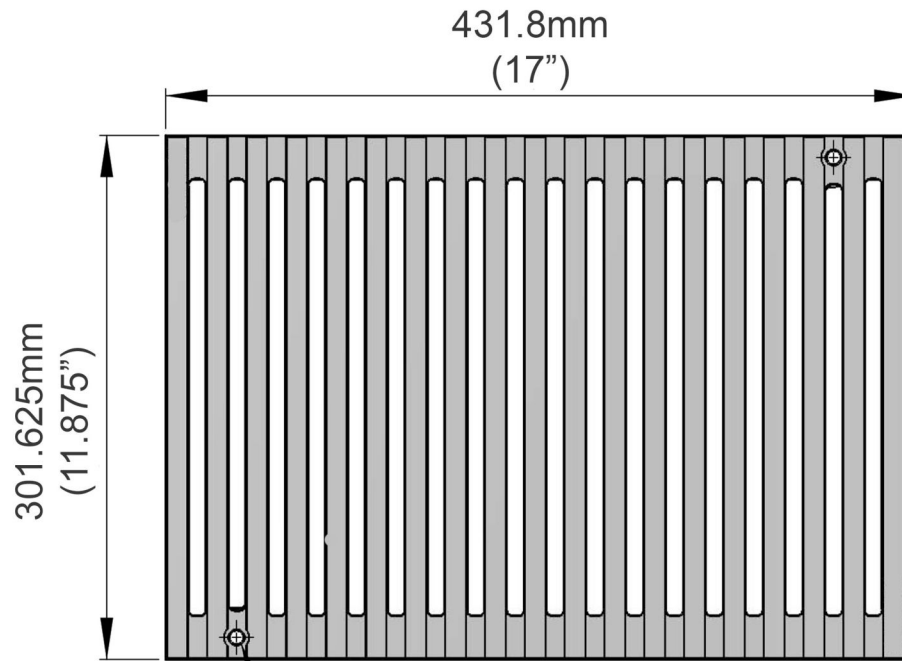
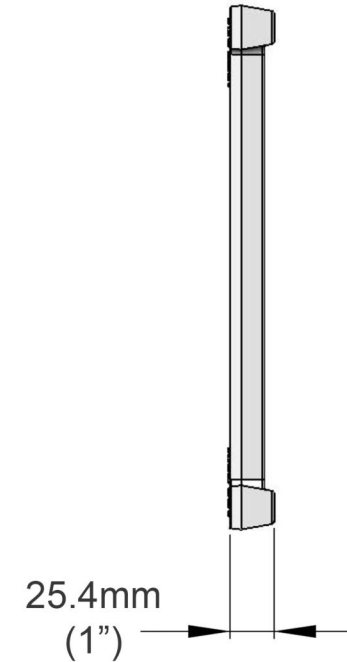


TOP
scale 1:4



(x2) hole for bolt down

EDGE
scale 1:4



END
scale 1:4



Pattern : Joe

Material : Cast Ductile Iron

Joe 431 x 301 mm Channel Grate

Reg. Joe 12"x 17" trench drain -strainght

Finish : Natural Finish

Thickness : 25.4

Drawing no : JOE-CG-431-301 Product no : CI94-431-301CG

1. Due to casting inconsistencies all dimensions are nominal
2. No openings greater then 6.35 mm
3. Approx. weight < 20 lbs.
4. Please discuss about channel drain options

Dimensions : 431,8 x 301,625

Units : mm



Unit 5 Cotswold Business Park
Millfield Lane
Beds LU1 4AJ

Load Class : N/A

Flow rate : N/A

info@lateraldesignstudio.co.uk

0208 450 2244

