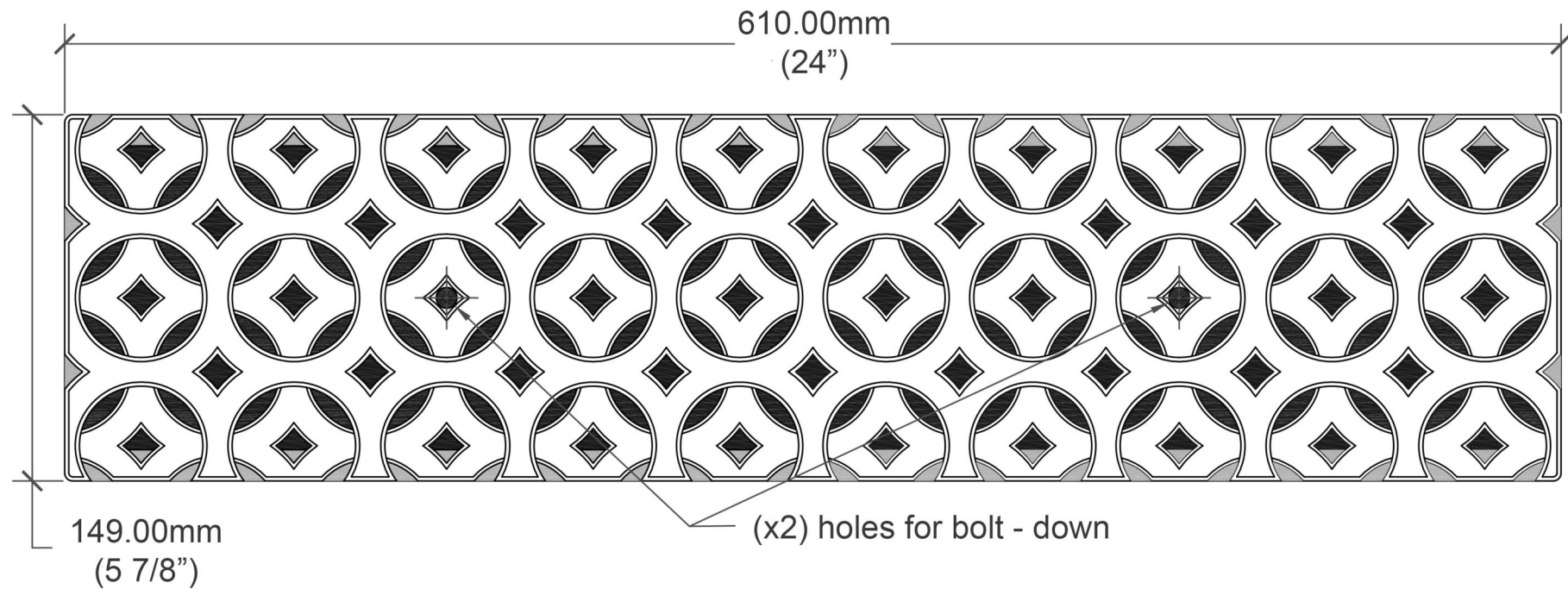


3 GRATES ARRAYED



TOP



Pattern : Interlaken

Material : Cast Iron

**Interlaken 610 x 149 mm Channel Grate**  
Interlaken 6" trench drain

Finish : Natural Finish

Thickness : 19.05

Drawing no : INT-CG-610-149 Product no : CI66-610-149CG

1. Due to casting inconsistencies all dimensions are nominal
2. No openings greater than 12.7 mm
3. Weight 16.5 pounds
4. Please discuss about channel drain options

Dimensions : 610 x 149

Units : mm



Unit 5 Cotswold Business Park  
Millfield Lane  
Beds LU1 4AJ

Load Class : N/A

Flow rate : 16%

info@lateraldesignstudio.co.uk

0208 450 2244

