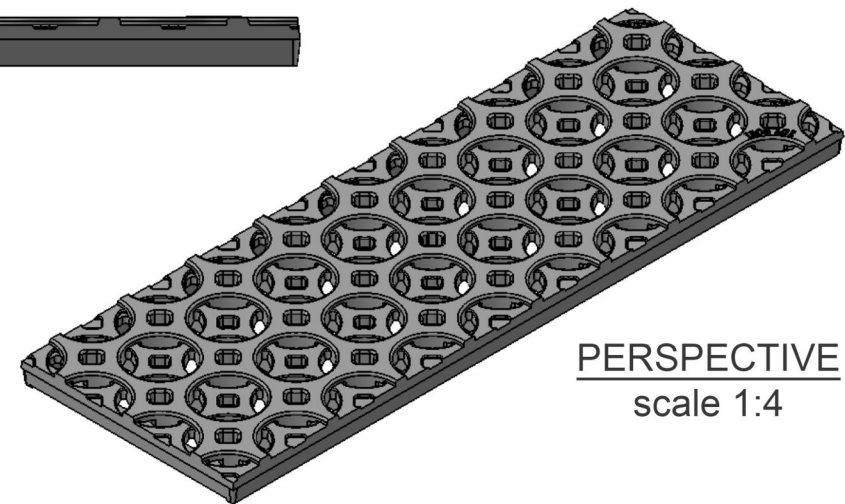
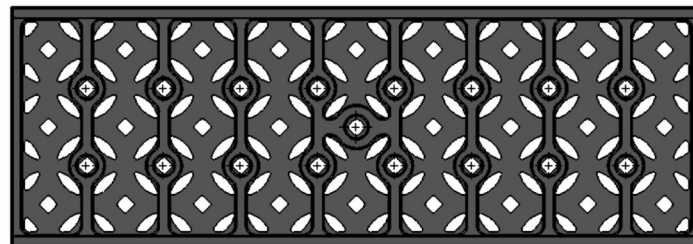
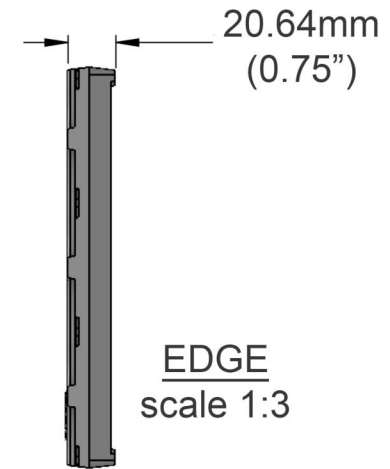
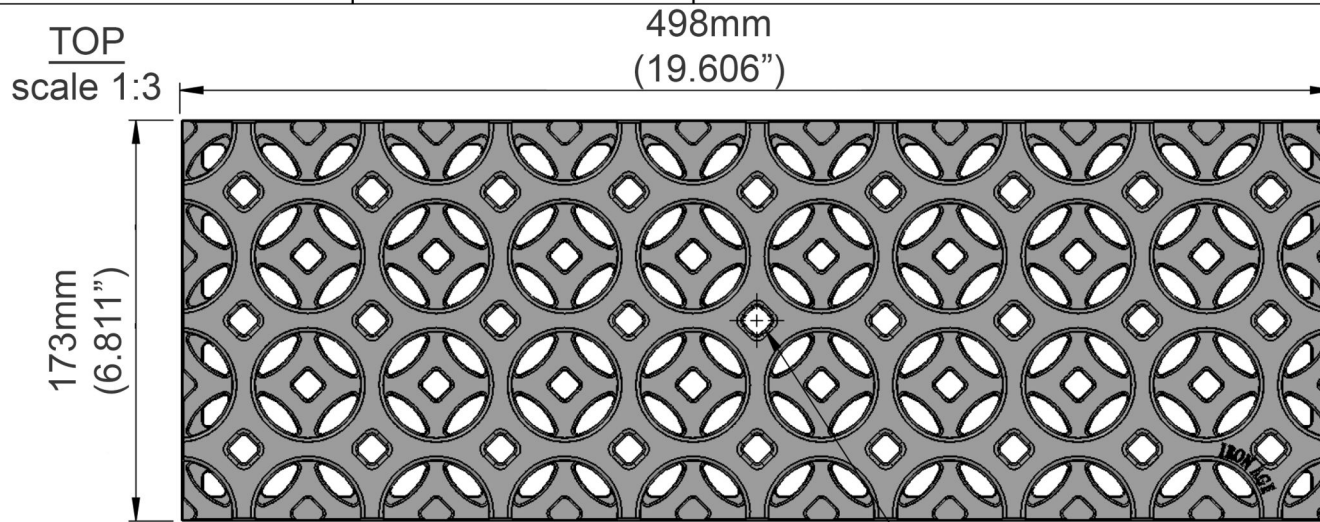


Issue	Date	Description	Name
A	19.5.2016	Detail Drawn	MP



**BOTTOM**  
scale 1:5

**PERSPECTIVE**  
scale 1:4



Pattern : Interlaken

Material : Cast Ductile Iron

**Interlaken 498 x 173 mm Channel Grate**  
173mm x 498mm Interlaken

Finish : Natural finish

Thickness : 20.64

Drawing no : INT-CG-498-173 Product no : CI66-498-173CG

1. Due to casting inconsistencies all dimensions are nominal
2. No openings greater than 12.7 mm
3. Weight 12.5 pounds
4. Please discuss about channel drain options

Dimensions : 498 x 173

Units : mm



Unit 5 Cotswold Business Park  
Millfield Lane  
Beds LU1 4AJ

Load Class : N/A

Flow rate : N/A

info@lateraldesignstudio.co.uk

0208 450 2244

