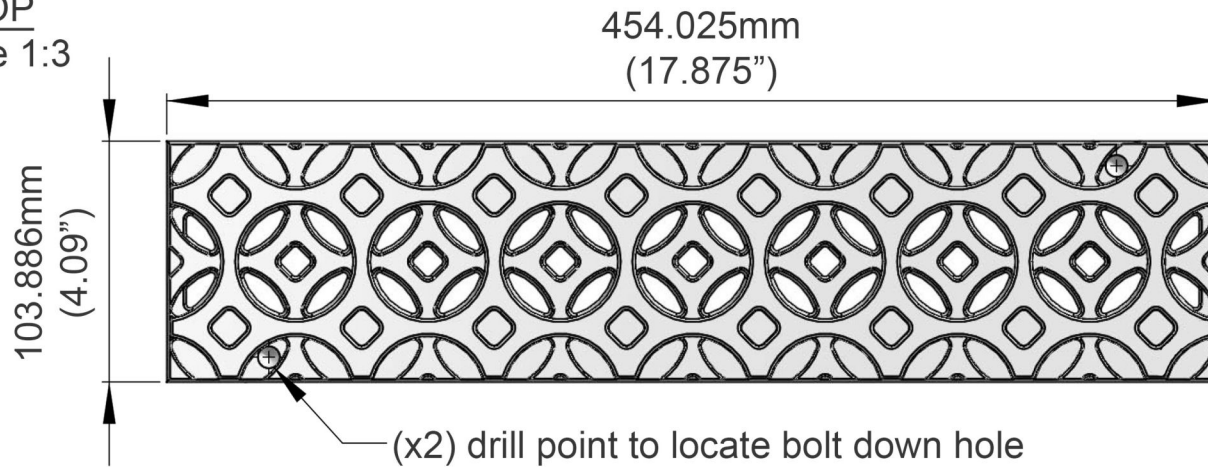
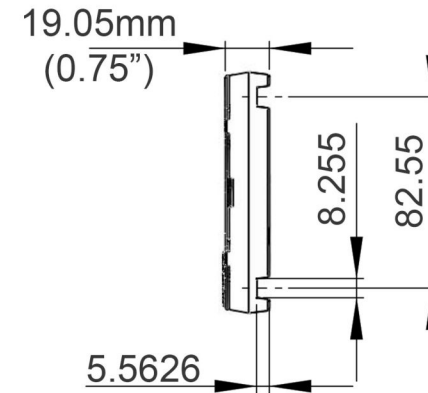


Issue	Date	Description	Name
A	19.5.2016	Detail Drawn	MP

TOP
scale 1:3



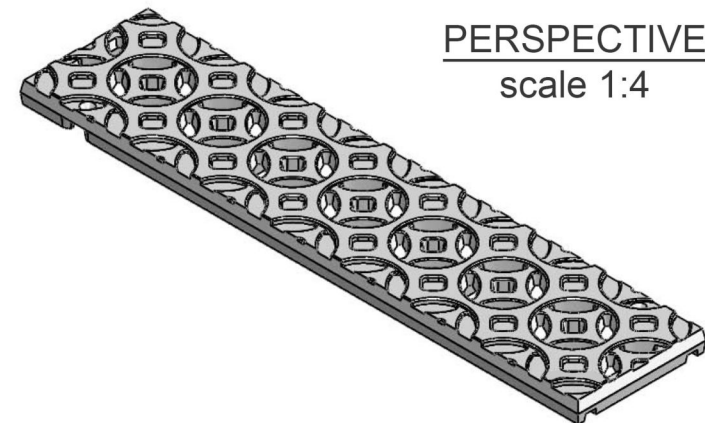
END
scale 1:3



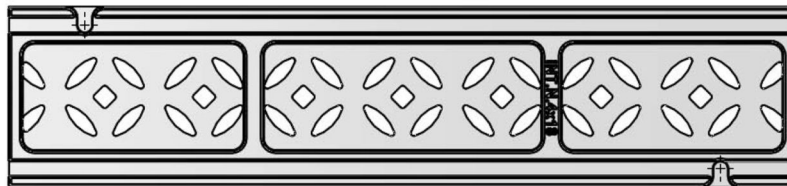
EDGE
scale 1:3



PERSPECTIVE
scale 1:4



BACK
scale 1:3



Pattern : Interlaken

Material : Cast Ductile Iron

Interlaken 454 x 104 mm Channel Grate
Interlaken 4"x18" trench drain

Finish : Natural Finish

Thickness : 19.05

Drawing no : INT-CG-454-104 Product no : CI66-454-104CG

1. Due to casting inconsistencies all dimensions are nominal
2. No openings greater than 12.7 mm
3. Appox. weight appox. 8 lbs.
4. Please discuss about channel drain options

Dimensions : 454,025 x 103,886

Units : mm



Unit 5 Cotswold Business
Park
Millfield Lane
Beds LU1 4AJ

Load Class : N/A

Flow rate : 11%

info@lateraldesignstudio.co.uk

0208 450 2244

