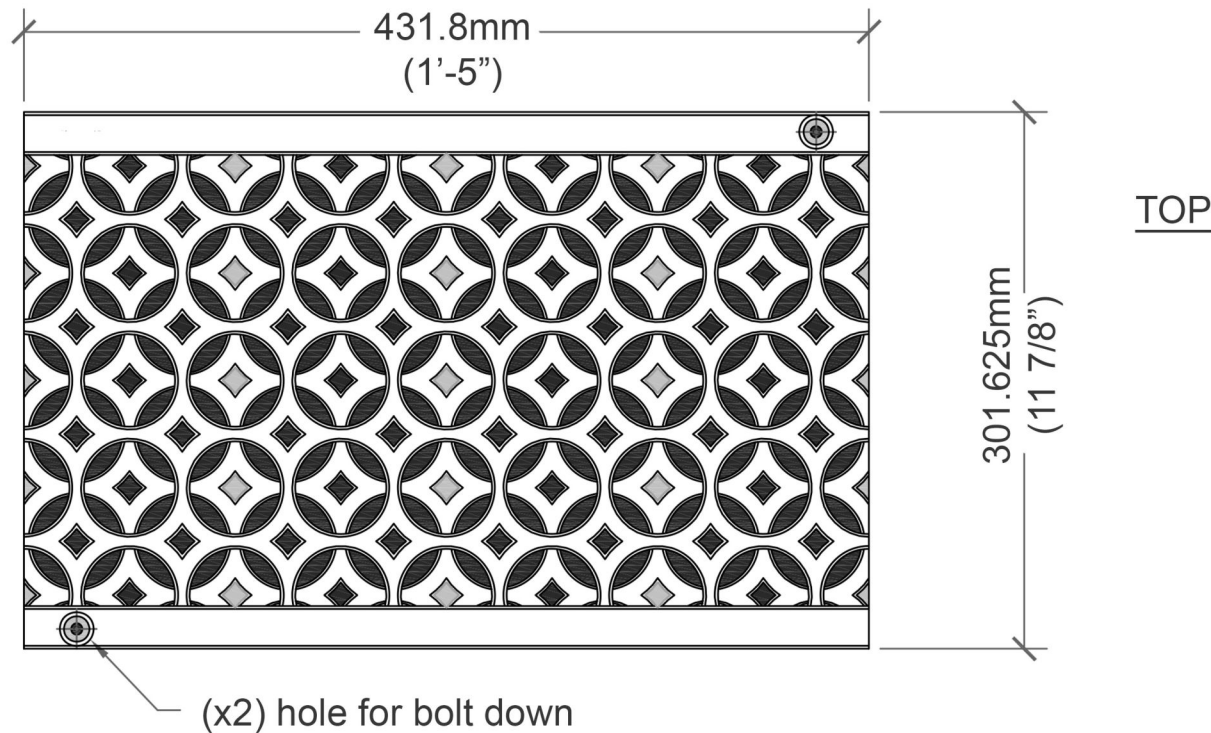
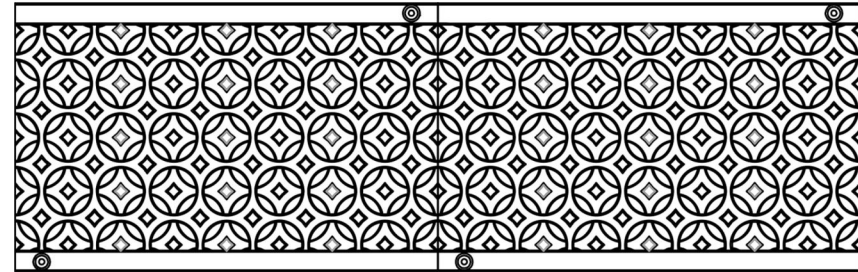


Issue	Date	Description	Name
A	19.5.2016	Detail Drawn	MP

2 castings arrayed  
scale 1:2



Pattern : Interlaken

Material : Cast Iron

**Interlaken 432 x 302 mm Channel Grate**  
Interlaken 12" trench cover

Finish : Natural Finish

Thickness : 25.4

Drawing no : INT-CG-432-302 Product no : CI66-432-302CG

1. No openings greater than 12.7 mm
2. Weight 20 pounds
3. Please discuss about channel drain options

Dimensions : 431,8 x 301,625

Units : mm



Unit 5 Cotswold Business Park  
Millfield Lane  
Beds LU1 4AJ

Load Class : N/A

Flow rate : 17%

info@lateraldesignstudio.co.uk

0208 450 2244

