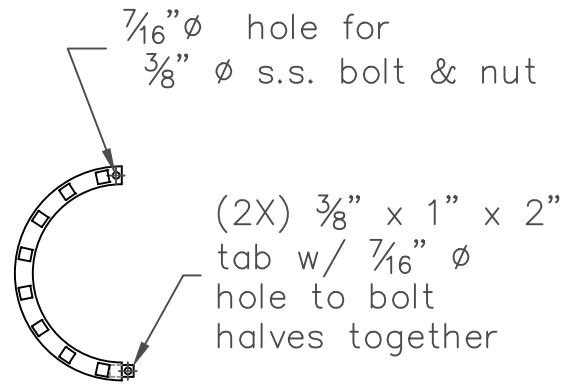
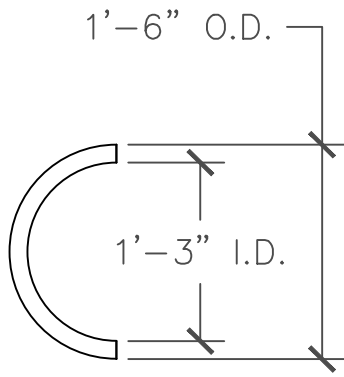
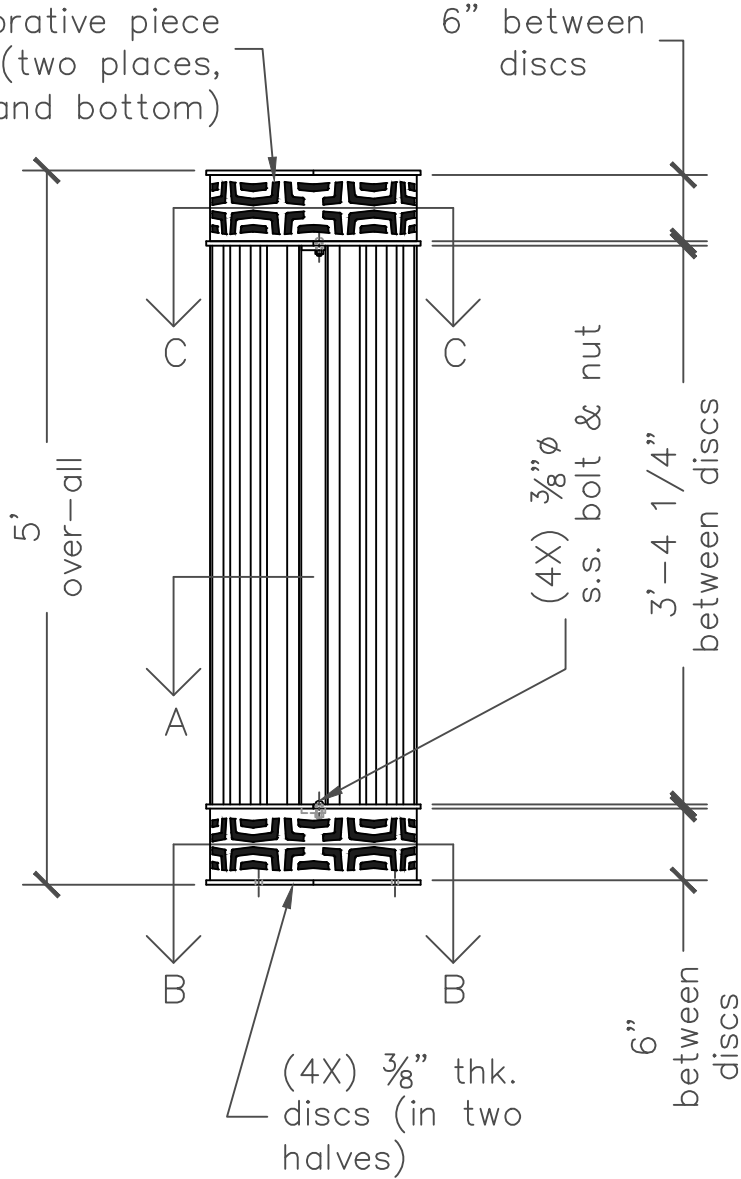


TYP. DISC
one side

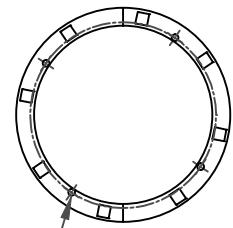


Custom lasercut decorative piece
(two places, top and bottom)



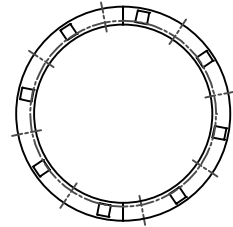
ELEVATION

X-CUT A
one side shown



(4X) $\frac{9}{16}$ " ϕ hole for bolt-dn.
layout: $7\frac{13}{16}$ " R


X-CUT B-B



X-CUT C-C

NOTES:

1. Material: steel
2. Powder coat finish (specify color)
3. Fits Tree grates manufactured by: Iron Age™



IRON AGE
DESIGNS

2104 SW 152nd st #4 TEL 206.276.0925
Burien, WA 98166 FAX 206.257.0318
www.ironagedesigns.com

Custom Tree guard
drawing no. 01-CustomTguard

drawn by: SG
scale: NTS
date: 3/7/11

© 2009 Iron Age Designs