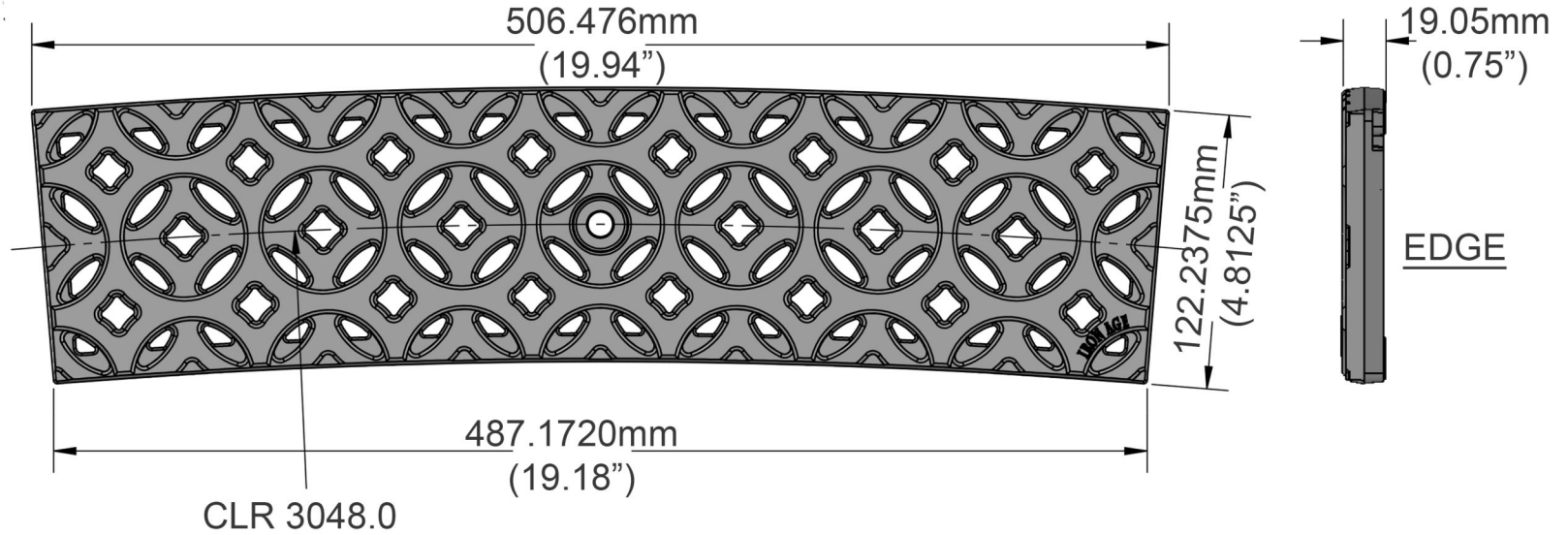


TOP

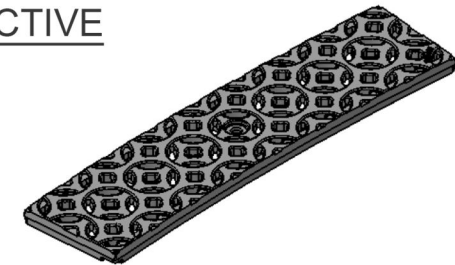


EDGE



SIDE

PERSPECTIVE



Pattern : Interlaken

Material : Cast Iron

Interlaken 507mm Curved Grate

Interlaken 5'x20" 10'CLR

Finish : Natural

Thickness : 19.05

Drawing no : INT-RG-507

Product no : CI66-507RG

Dimensions : 506,476 x 122,2375

Units : mm



Unit 5 Cotswold Business Park
Millfield Lane
Beds LU1 4AJ

Load Class : N/A

Flow rate : N/A

info@lateraldesignstudio.co.uk

0208 450 2244