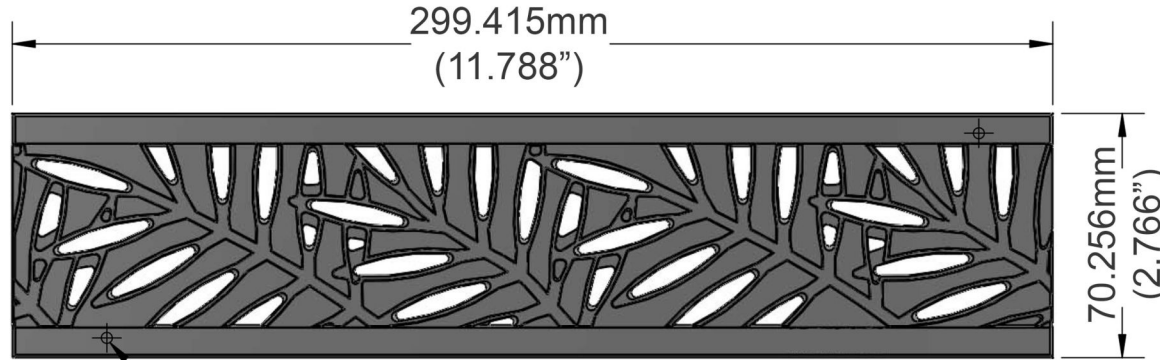
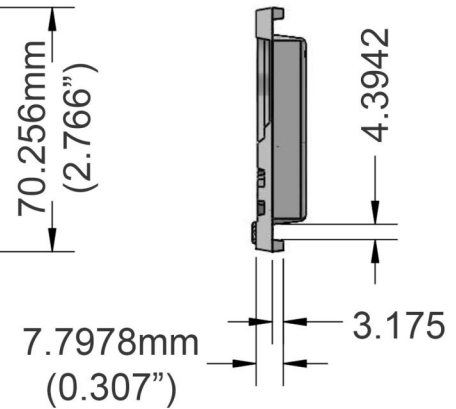


TOP  
scale 1:2



(2X on rear) drill points to locate bold down hole

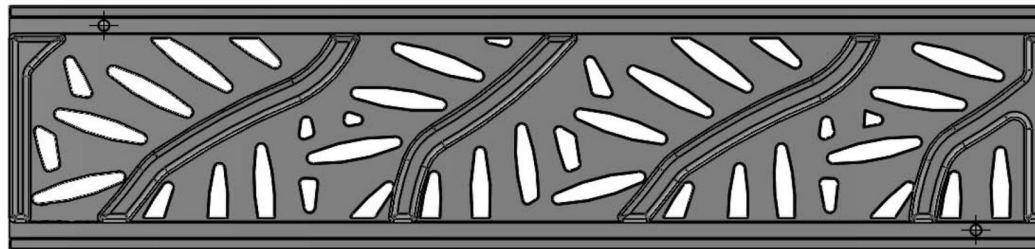
END  
scale 1:2



EDGE  
scale 1:2



BACK  
scale 1:2



Pattern : Locust

Material : Cast Iron

**Locust 300 x 70 mm Channel Grate**  
Locust mini trench drain

Finish : Natural Finish

Thickness : 19.005

Drawing no : LOC-CG-300-70 Product no : CI65-300-70CG

Dimensions : 299,4152 x 70,2564

Units : mm



Unit 5 Cotswold Business Park  
Millfield Lane  
Beds LU1 4AJ

Load Class : N/A

Flow rate : 14.5%

info@lateraldesignstudio.co.uk

0208 450 2244