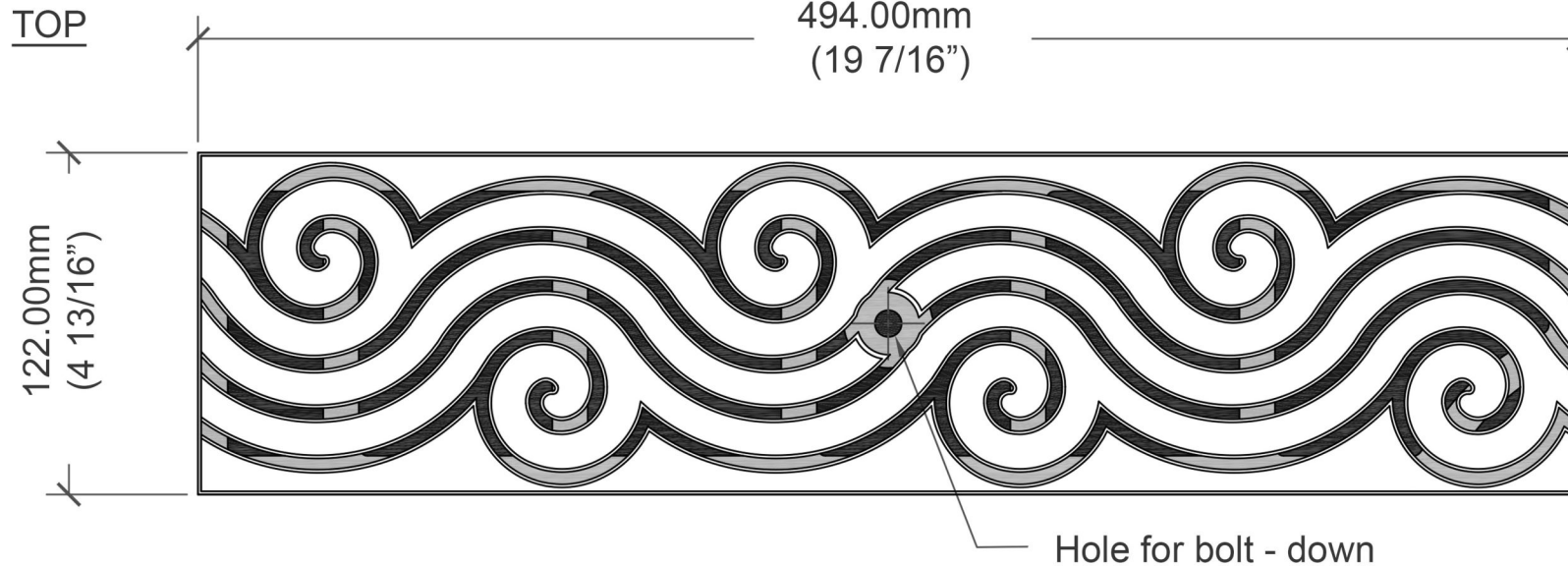


Issue	Date	Description	Name
A	19.5.2016	Detail Drawn	MP

3 GRATES ARRIVED



Pattern : Argo	Material : Cast Iron
Finish : Natural finish	Thickness : 20.6375
Dimensions : 494 x 122	Units : mm
Load Class : N/A	Flow rate : 13 %

**Argo 494 x 122mm Channel Grate**  
Argo 5" trench cover  
Drawing no : ARG-CG-494-122 Product no : CI63-494-122CG

1. Due to casting inconsistencies all dimensions are nominal
2. No openings greater than 6.35 mm
3. Weight 11 pounds
4. Please discuss about channel drain options

**LATERAL DESIGN STUDIO**  
www.lateraldesignstudio.co.uk

Unit 5 Cotswold Business Park  
Millfield Lane  
Beds LU1 4AJ

